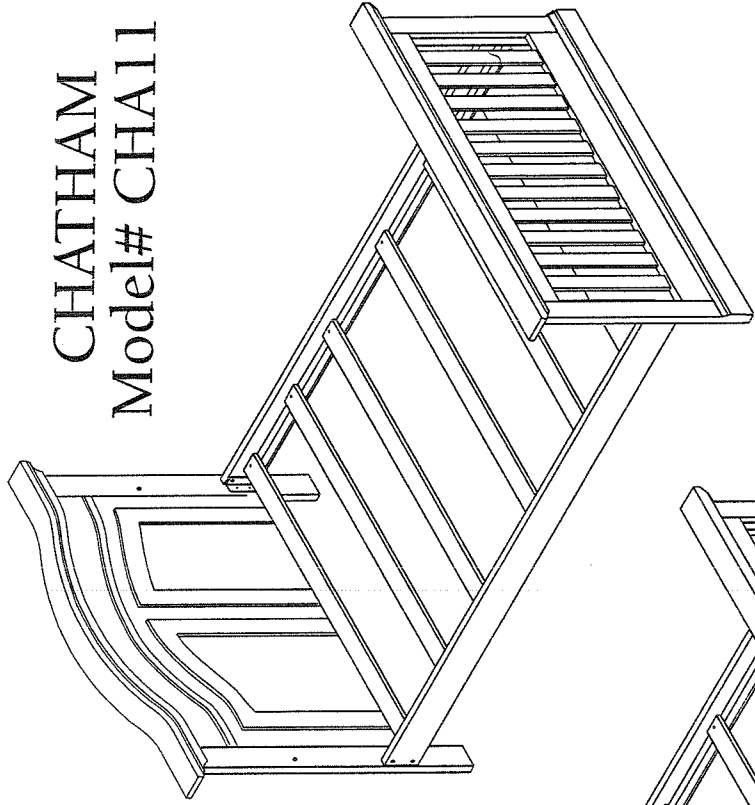


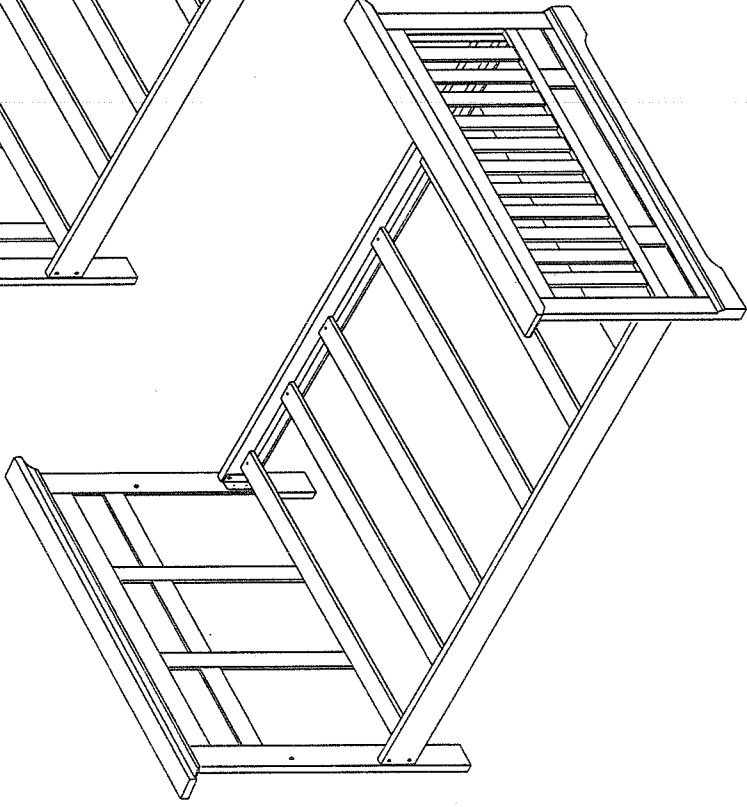
# ASSEMBLY INSTRUCTIONS

## Conversion Kit

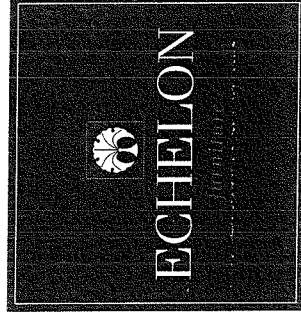


CHATHAM  
Model# CHA11

CHATHAM  
Model# CHA00



THESE  
INSTRUCTIONS APPLY  
TO BOTH CRIB STYLES

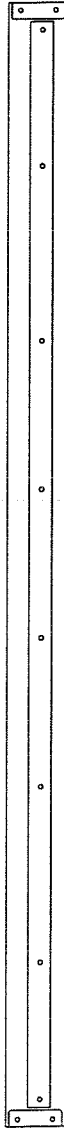


Carefully remove and lay out all parts. Familiarize yourself with all exhibits and diagrams to facilitate the assembly of your crib

**TOOLS REQUIRED :**  
Allenkey (supplied)

**PART ENCLOSED IN CARTON**

A. Rails (2 pcs)



B. Slat (6 pcs)



HARDWARE	
C. Allenbolt 1" (25 mm) (4 pcs)	G. Screw 1 1/2" (40 mm) (12 pcs)
D. Allenbolt 5/8" (15 mm) (4 pcs)	H. Wooden Plug (2 pcs)
E. Spring Washer (8 pcs)	( J ) Allenkey ( 2 pcs ) (length may vary)
F. Nut 3/4" (20 mm) (4 pcs)	

Make sure the bolts are tightly locked against the washers during assembly. (Please add an extra 1/2 revolution to all the bolts when using spring washer after tightening)

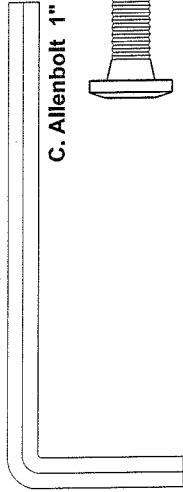
## STEP 1 " ASSEMBLY OF HEAD BOARD "

### THIS STEP REQUIRES :

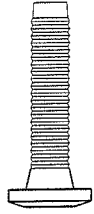
Headboard

A. Rails (2 pcs)

J. Allenkey (2 pcs)



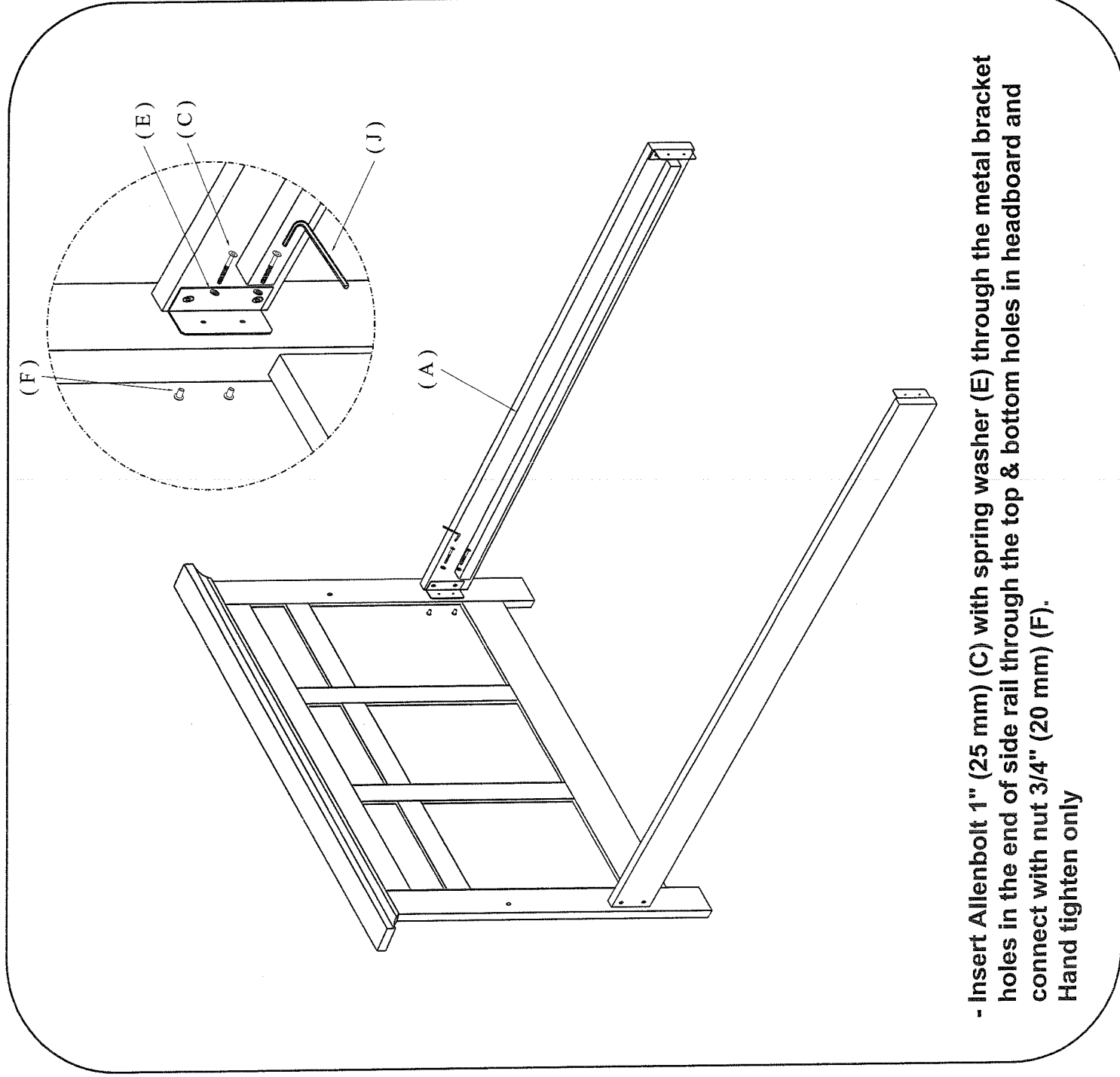
C. Allenbolt 1" (25 mm) (4 pcs)



E. Spring Washer (4 pcs)



F. Nut 3/4" (20 mm) (4 pcs)



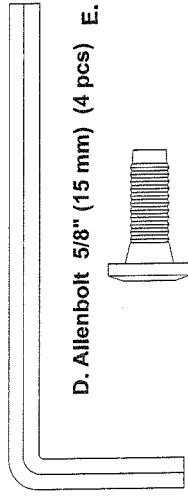
- Insert Allenbolt 1" (25 mm) (C) with spring washer (E) through the metal bracket holes in the end of side rail through the top & bottom holes in headboard and connect with nut 3/4" (20 mm) (F).  
Hand tighten only

## STEP 2 " ASSEMBLY OF FOOTBOARD "

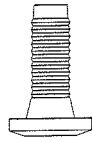
### THIS STEP REQUIRES :

Footboard (1 pc)

J. Allenkey (1 pc)



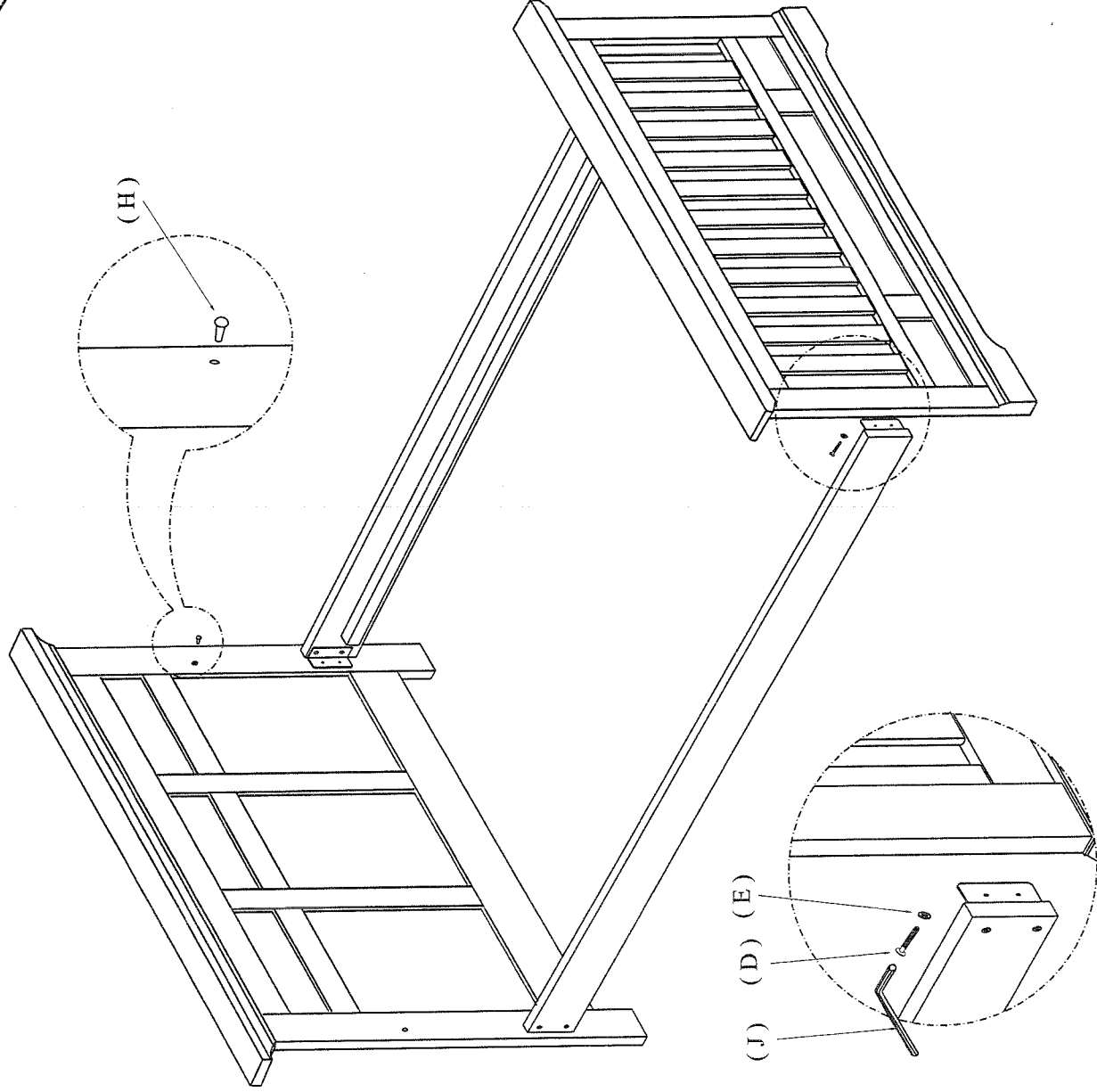
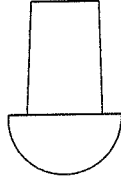
D. Allenbolt 5/8" (15 mm) (4 pcs)



E. Spring Washer (4 pcs)



H. Wooden Plug (2 pcs)



- Insert Allenbolt 5/8" (15 mm) (D) with spring washer (E) through the metal bracket holes in the end of side rail through the threaded holes in the footboard.
- Tighten all bolts with allenkey (J)
- Put 2 pcs of wooden plugs (H) into 2 headboard top holes

### STEP 3 " ASSEMBLY OF SLATS "

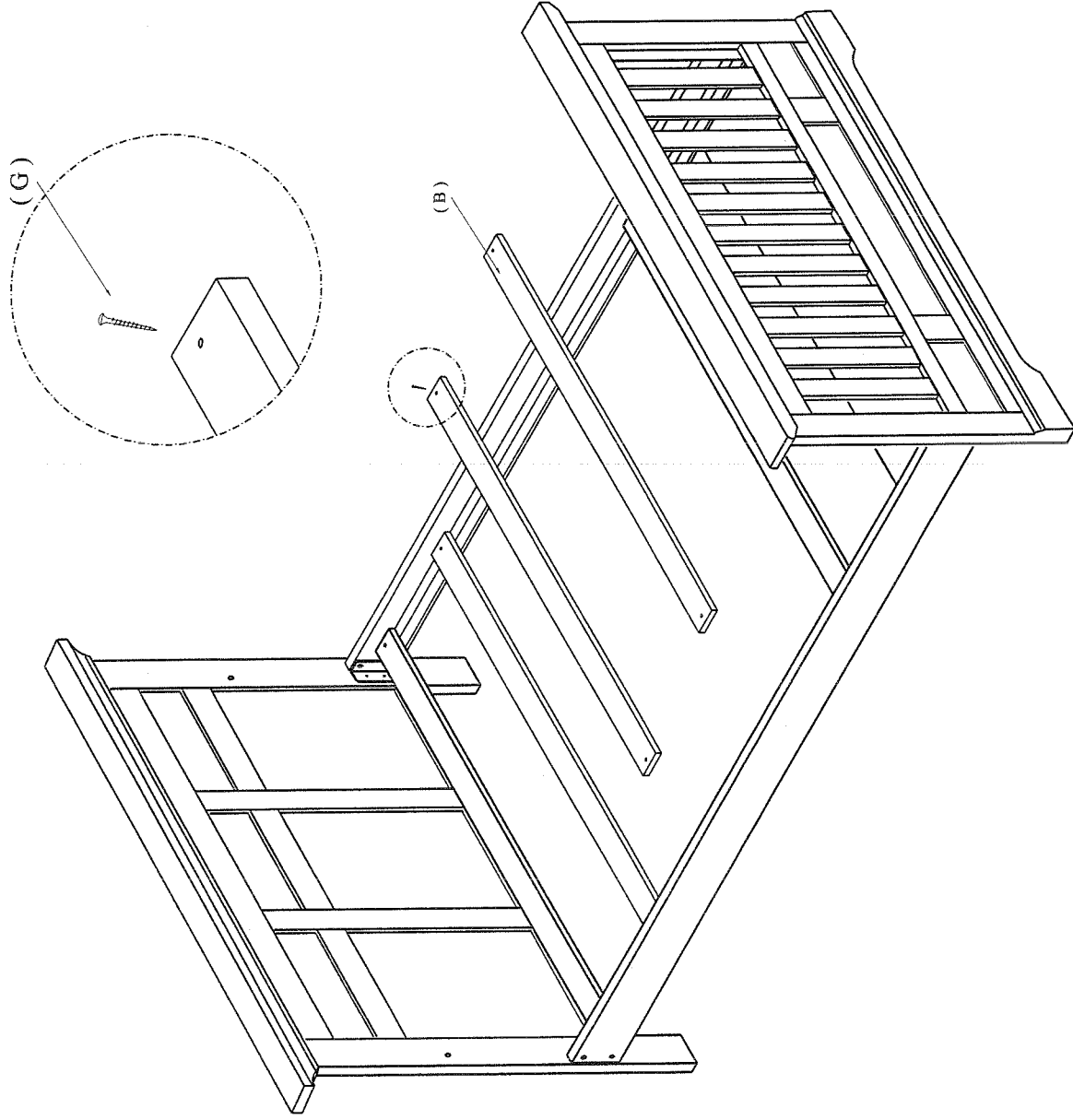
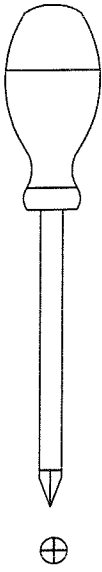
**THIS STEP REQUIRES :**

B. Slats (8 pcs)

G. Screw 1 1/2" (40 mm) (12 pcs)



Screw Driver  
(not included)



- Install 8 pcs of slats (B) to the 2 pcs of side rail above the pre drilling holes.
- Insert 12 pcs of screw 1 1/2" (40 mm) (G) screws into the slats holes through side rail pre drilling holes. Hand tighten only
- After all 12 pcs of screw inserted, fasten with screw driver.